

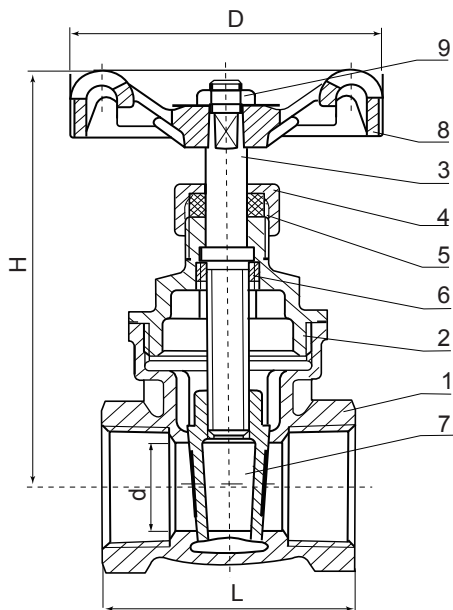
Fig.2001
PN20

Bronze Gate Valve



FEATURES	
Pressure Rating	: PN20
Working medium	: Water,Oil,Steam
Working temperature	: $t \leq 170^{\circ} \text{C}$
Thread	: BSPP
Comply With BS5154	

SEQUENCE	COMPONENTS	MATERIAL
1	Body	Bronze CC491K
2	Bonnet	Bronze CC491K
3	Stem	DZR Brass CW602N
4	Packing Nut	Brass CW617N
5	Packing	P.T.F.E
6	Stem Bust	Brass CW617N
7	Disc	Bronze CC491K
8	Hand Wheel	Aluminium
9	Hand Wheel Nut	Brass CW614N



		DIMENSIONS			
DN	INCH	d	L	H	D
15	1/2"	13	43	78	52
20	3/4"	19	49	92	60
25	1"	25	54	103	60
32	1 1/4"	32	62	116	70
40	1 1/2"	38	65	133	78
50	2"	50	75	156	92
65	2 1/2"	63	87	190	100
80	3"	76	105	215	110
100	4"	100	124	258	130

NOTE: Whilst all reasonable care has been taken in compiling the information in this document, the designs, dimensions, specifications, weights photos shown are indicative only and non binding. These data should not be relied upon without our prior written approval. Due to our policy of continuous development, we reserve the right to modify/discontinue the design, construction or appearance of goods mentioned in this document, website and any other publication including installation manuals, price lists any time without notice and without re-course. Project pictures, product models, certifications and approvals shown may also be of the similar product but sold under other brand. All products are not available in every country. Copy, reprinting and photo-mechanical re-production, also in extracts is forbidden without our written agreement.

EAU TECHNIK GmbH

Herriotstr. 1

60528 Frankfurt am Main, Germany

Ph : +49(0)69 67733 176

Fax : +49(0) 69 67733 200

Email : info@eautek.com

Web : www.eautek.com